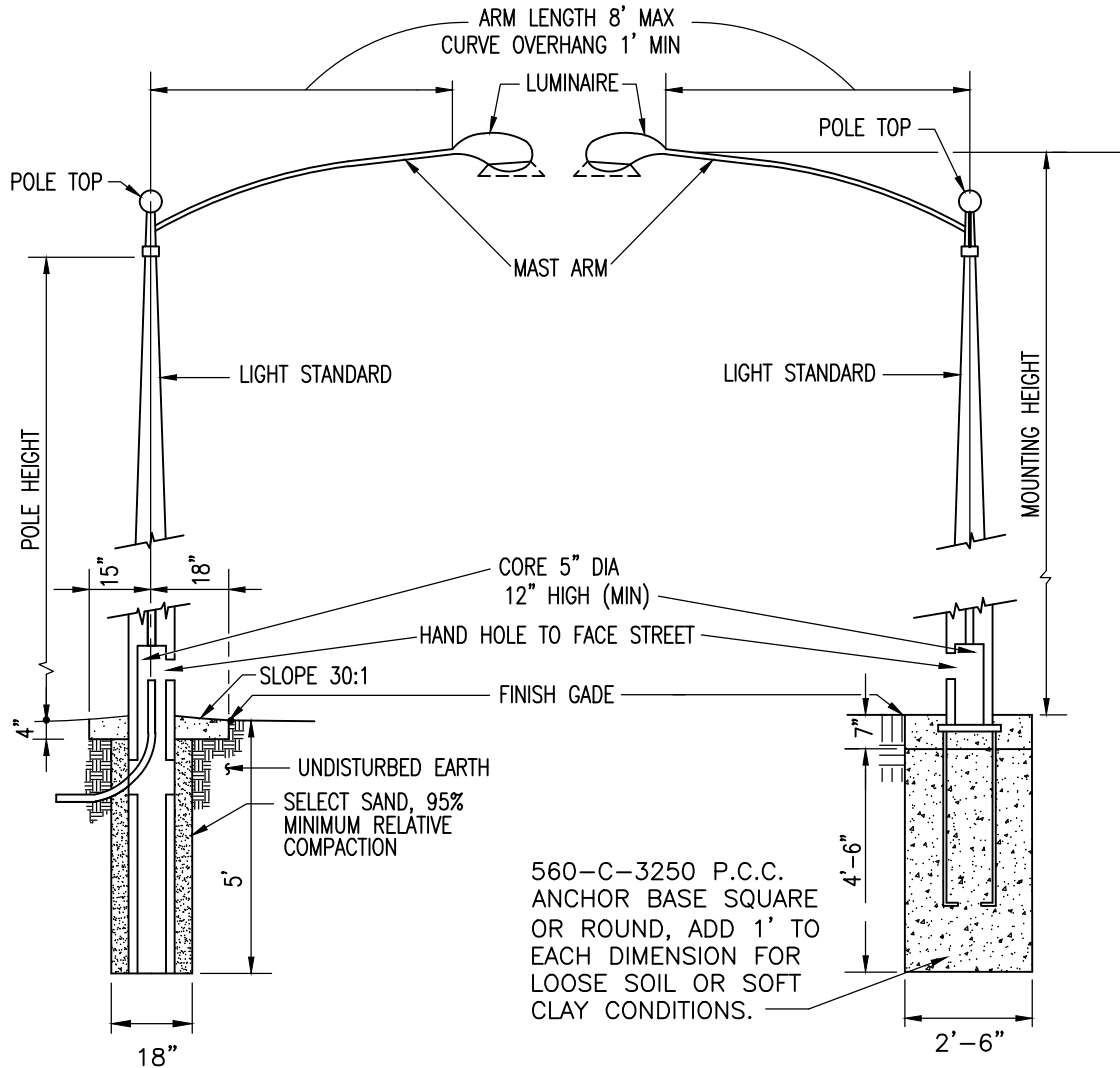


ELECTRICAL SYSTEMS

ELECTRICAL SYSTEMS

E

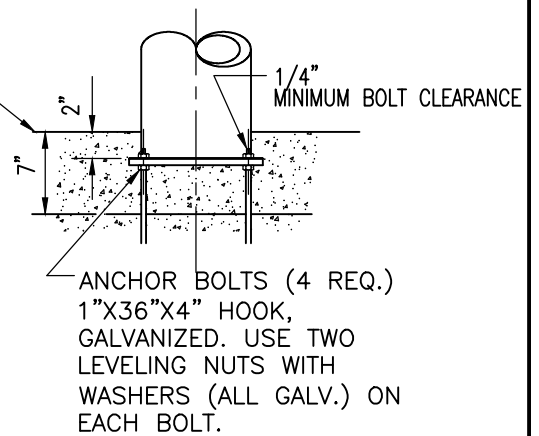


DIRECT BURIAL FOUNDATION

ANCHOR BASE FOUNDATION

POLE HEIGHT	MOUNTING HEIGHT	LAMP SIZE (WATTS)
25' ±2'	27' ±1'	170 M.V. 100 H.P.S. 90 L.P.S.
28' ±2'	30' ±1'	400 M.V. 250 H.P.S. 180 L.P.S.
23' -0"	26' -9"	70 H.P.S.
26' -6"	30' -0"	150 H.P.S.

FINISHED GRADE
ANCHOR BOLTS MUST
NOT PROTRUDE



Revision	By	Approved	Date
ORIGINAL		Kercheval	12/75
Delete Metric		D. Gerschoffer	06/12
Reviewed		D. Gerschoffer	06/18
Reviewed	RP	S. Engeda	03/22

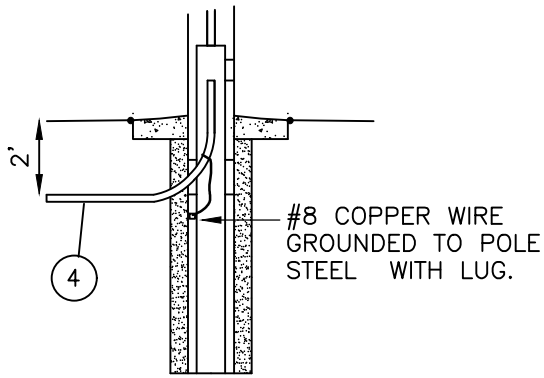
SAN DIEGO REGIONAL STANDARD DRAWING

**STREET LIGHTING
STANDARD**

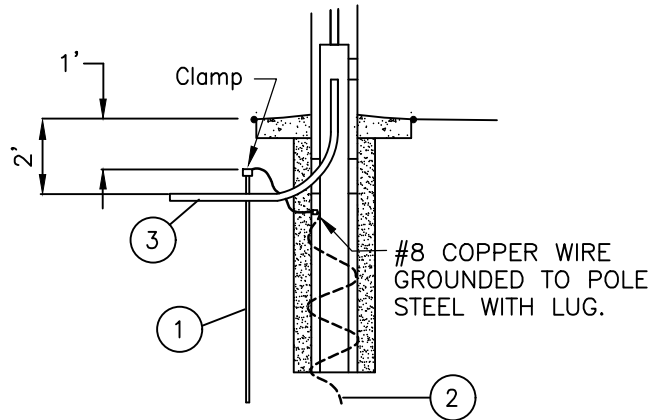
RECOMMENDED BY THE SAN DIEGO
REGIONAL STANDARDS COMMITTEE

Saman Engeda 03/24/2022
Chairperson R.C.E. 52241 Date

DRAWING
NUMBER **E-01**

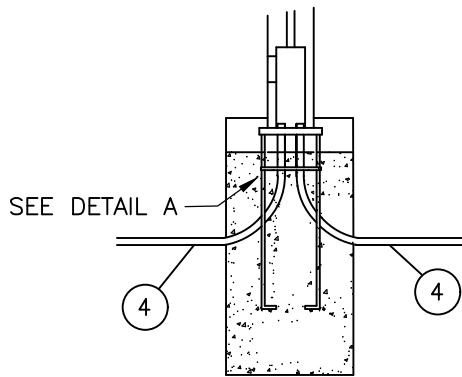


STEEL CONDUIT

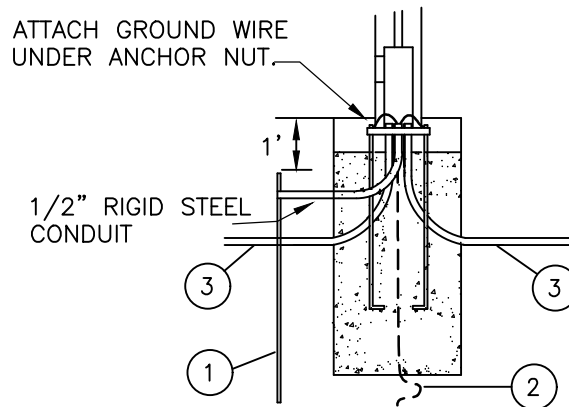


NON-METALLIC CONDUIT

DIRECT BURIAL FOUNDATION



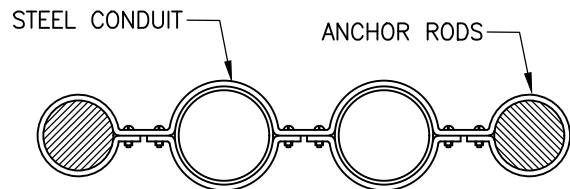
STEEL CONDUIT



NON-METALLIC CONDUIT

ANCHOR BASE FOUNDATION

- ① 3/4" X 8' COPPER COVERED STEEL GROUND ROD.
- ② ALTERNATE GROUND: 15' NO. 4 STRANDED COPPER WIRE, COILED.
- ③ APPROVED NON-METALLIC CONDUIT.
- ④ STEEL CONDUIT.



DETAIL A

Revision	By	Approved	Date
ORIGINAL		Kercheval	12/75
Reviewed		D. Gerschoffer	06/18
Reviewed	RP	S. Engeda	03/22

SAN DIEGO REGIONAL STANDARD DRAWING

**GROUNDING
OF CONCRETE LIGHTING STANDARDS**

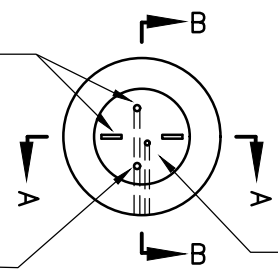
RECOMMENDED BY THE SAN DIEGO REGIONAL STANDARDS COMMITTEE

Susan Engeda 03/24/2022
Chairperson R.C.E. 52241 Date

DRAWING NUMBER **E-02**

1 1/2" MIN. COVER FOR BARS AND CONDUITS

GALVANIZED STEEL CONDUITS. SIZE AND NUMBER AS REQUIRED.



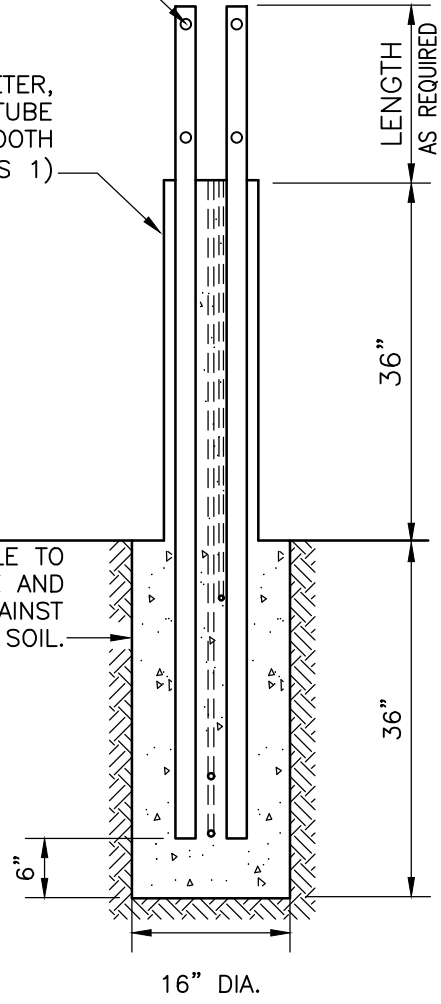
PLAN

1" GALVANIZED STEEL CONDUIT FOR SERVICE GROUND (WHERE REQUIRED).

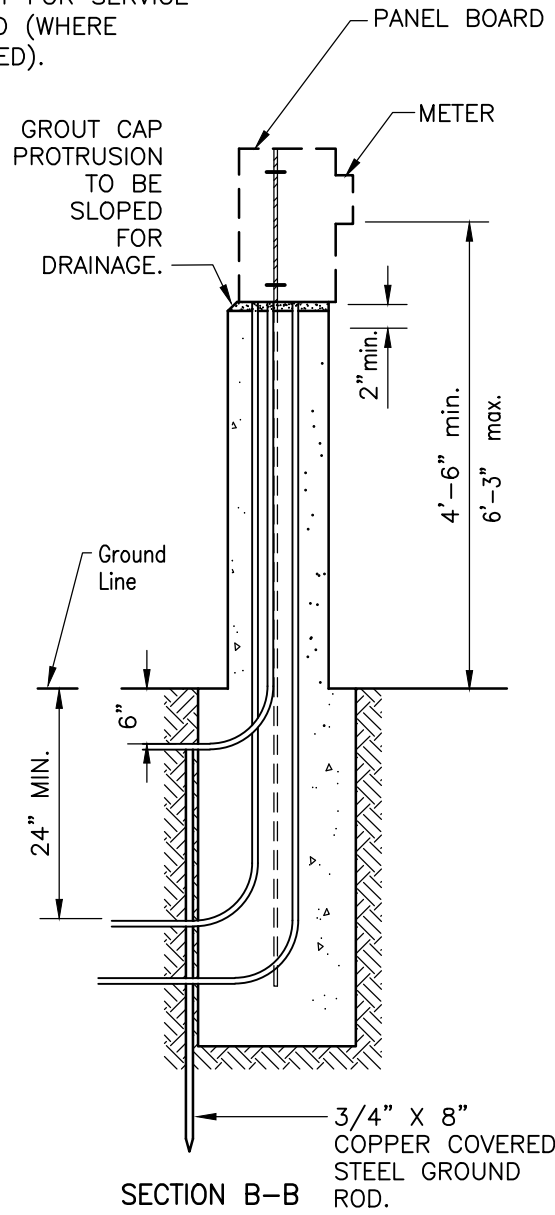
1/4" X 2" GALVANIZED STEEL BARS.

10" DIAMETER, USE SONOTUBE FOR SMOOTH FINISH (CLASS 1)

PERMISSABLE TO AUGER HOLE AND POUR AGAINST SOIL.



SECTION A-A
STEEL & CONCRETE DIMENSIONS



SECTION B-B
CONDUIT & EQUIPMENT

NOTE: CONCRETE SHALL BE CLASS 560-C-3250

Revision	By	Approved	Date
ORIGINAL		Kercheval	12/75
Reviewed		D. Gerschoffer	06/18
Reviewed	RP	S. Engeda	03/22

SAN DIEGO REGIONAL STANDARD DRAWING

PEDESTAL FOR ELECTRICAL EQUIPMENT

RECOMMENDED BY THE SAN DIEGO REGIONAL STANDARDS COMMITTEE

Saman Engeda 03/24/2022
Chairperson R.C.E. 52241 Date

DRAWING NUMBER **E-03**